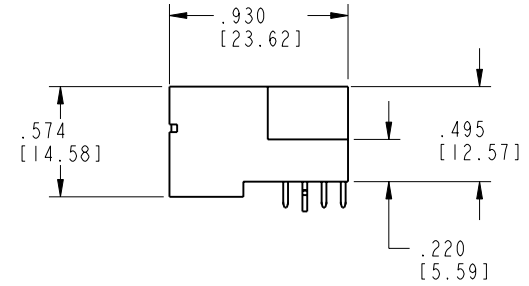
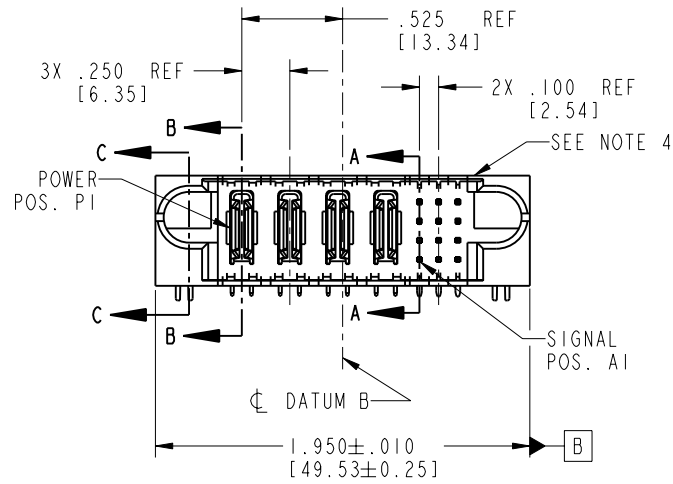
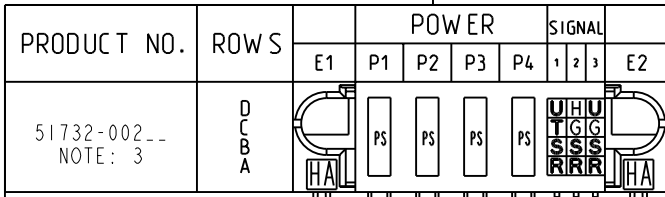


Tous droits strictement réservés. Reproduction ou communication o des liens interdité sous quelque forme que ce soit sans autorisation écrite du propriétaire. Propriete de c FCI. Droits de reproduction FCI.

All rights strictly reserved. Reproduction or issue to third parties in any form whenever is not permitted without written authority from the proprietor. Property of FCI. Copyright FCI.



CODE	DIM "M"	MATING LENGTH	CONTACT TYPE
G	.220	[5.59]	SIGNAL
H	.220	[5.59]	SIGNAL
R	.270	[6.86]	SIGNAL
S	.270	[6.86]	SIGNAL
T	.270	[6.86]	SIGNAL
U	.270	[6.86]	SIGNAL
PS	N/A	[N/A]	POWER
HA	N/A	[N/A]	HOLD-DOWN

mat'l code				SEE NOTE 2		tolerances unless otherwise specified		CUSTOMER		 www.fciconnect.com	
ltr	ecn no.	dr	date	linear	.XX±.01/0.X±0.3		COPY		title		
A	V02738	JRW	11/21/00		.XXX±.005/0.XX±0.13		projection		4P + 12S		
B	V21294	TAB	09/10/02		.XXX±.0020/0.XXX±0.051				RIGHT ANGLE SOLDER HEADER		
C	DG05-0501	GuoJM	11/24/05	angles	0°±2°		INCH/MM		product family		
				dr	T. BRUNGARD	09/10/02	scale		PwrBlade		
				engr	M. MOSTOLLER	09/10/02	1:1		code		
				chr	M. MOSTOLLER	09/10/02			size		
				appd	M. MOSTOLLER	09/10/02			dwg no		
sheet index		revision sheet		C	C	C	C	A		51732-002	
		1	2	3	4					sheet 1 of 4	

cage code 22526

Pro/E

PDM: Rev:C

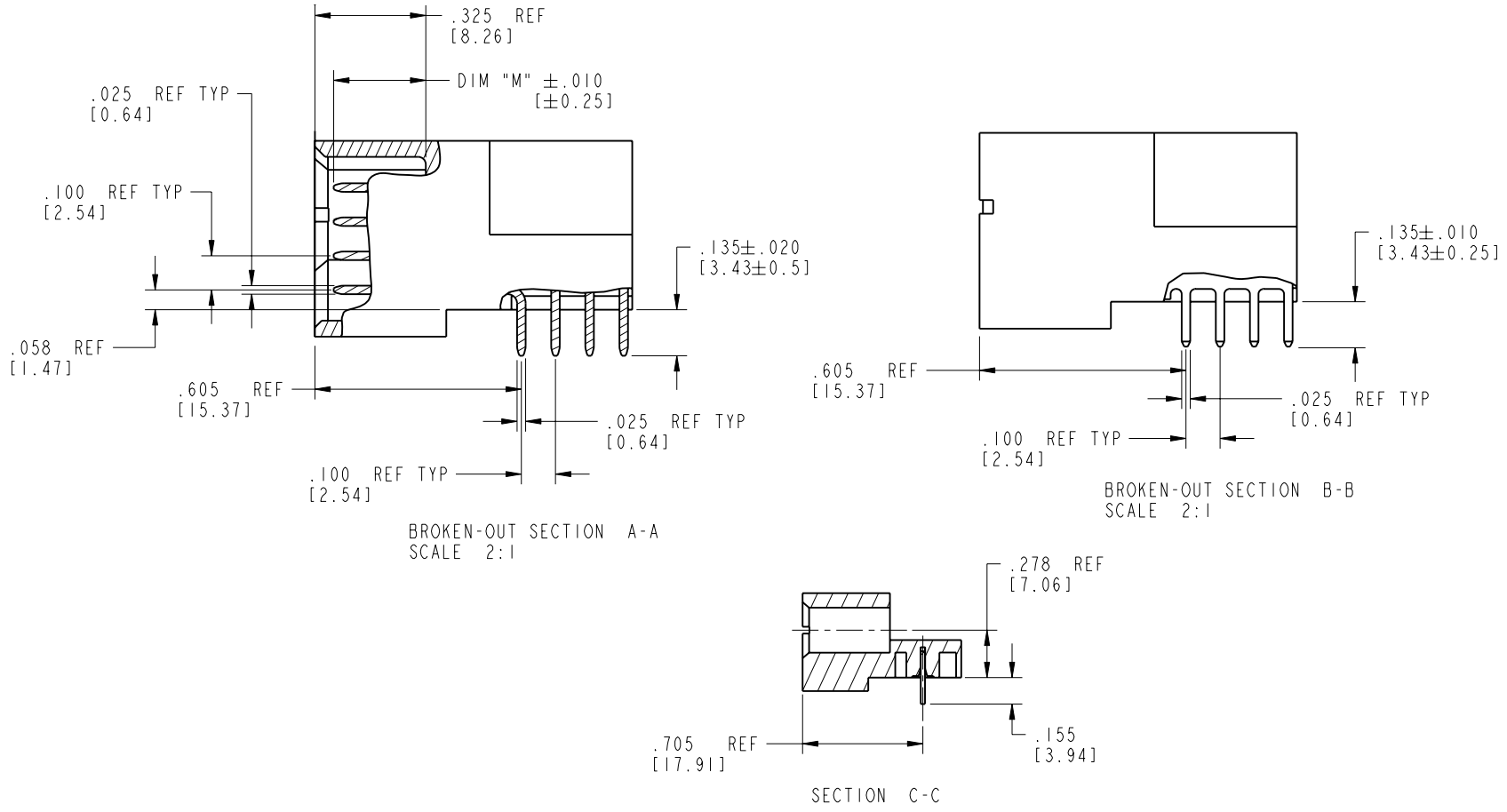
STATUS: Released

Printed: Aug 14, 2007

Tous droits strictement réservés. Reproduction ou communication o des liens interdite sous quelque forme que ce soit sans autorisation écrite du propriétaire. Propriété de c FCI. Droits de reproduction FCI.

All rights strictly reserved. Reproduction or issue to third parties in any form, whatever is not permitted without written authority from the proprietor. Property of FCI. Copyright FCI.

PRODUCT NUMBER  
51732-002--  
NOTE: 3



mat'l code SEE NOTE 2				tolerances unless otherwise specified		CUSTOMER		 www.fciconnect.com	
lfr	ecn no.	dr	date	linear	.XX±.01/0.X±0.3	COPY			
C				projection	.XXX±.005/0.XX±0.13			title	4P + 12S
				angles	.XXX±.0020/0.XXX±0.051			RIGHT ANGLE SOLDER HEADER	
				dr	T. BRUNGARD 09/10/02	INCH/MM		product family	PwrBlade
				engr	M. MOSTOLLER 09/10/02	scale		code	213
				chr	M. MOSTOLLER 09/10/02	1:1		size	dwg no
				appd	M. MOSTOLLER 09/10/02			A	51732-002
sheet index	revision sheet							sheet	2 of 4

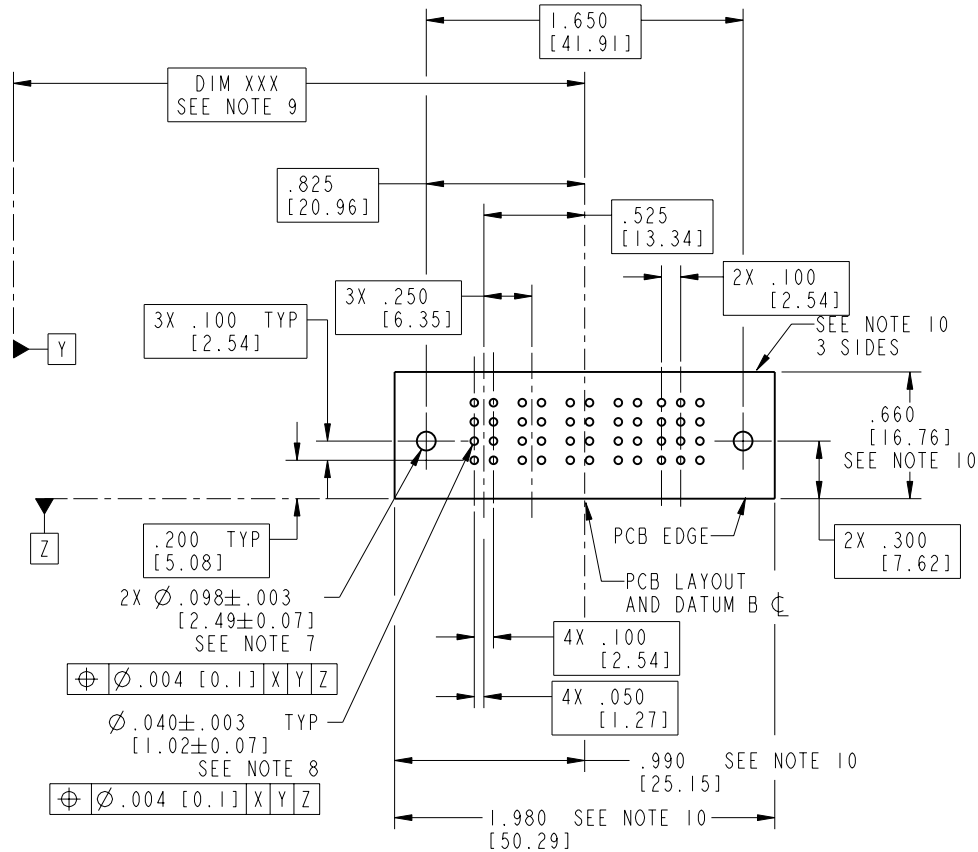
Pro/E 3 coge code 22526 4

Tous droits strictement réservés. Reproduction ou communication o des liers interdite sous quelque forme que ce soit sans autorisation écrite du propriétaire. Propriété de c FCI. Droits de reproduction FCI.



All rights strictly reserved. Reproduction or issue to third parties in any form, whatever is not permitted without written authority from the proprietor. Property of FCI. Copyright FCI.

PRODUCT NUMBER  
51732-002--  
NOTE: 3



RECOMMENDED PCB LAYOUT

mat'l code				SEE NOTE 2		tolerances unless otherwise specified		CUSTOMER		 www.fciconnect.com	
lfr	ecn no.	dr	date	linear	.XX±.01/0.XX±0.3		COPY		 title 4P + 12S RIGHT ANGLE SOLDER HEADER	product family PwrBlade code 213	
c					angles	.XXX±.005/0.XX±0.13		INCH/MM		size dwg no 51732-002	
				dr		T. BRUNGARD	09/10/02	scale 1:1		sheet 3 of 4	
				enrg	M. MOSTOLLER	09/10/02					
				chr	M. MOSTOLLER	09/10/02					
				appd	M. MOSTOLLER	09/10/02					
sheet index	revision sheet										

cage code 22526

Pro/E

PDM: Rev:C

STATUS: Released

Printed: Aug 14, 2007

Tous droits strictement réservés. Reproduction ou communication o des liers interdite sous quelque forme que ce soit sans autorisation écrite du propriétaire. Propriete de c FCI. Droits de reproduction FCI.

**A** FCI

All rights strictly reserved. Reproduction or issue to third parties in any form, whenever is not permitted without written authority from the proprietor. Property of FCI. Copyright FCI.

**B**

**PRODUCT NUMBER**

51732-002--  
NOTE: 3

**NOTES:**

1. DIMENSIONS AND TOLERANCES ARE IN ACCORDANCE WITH ASME Y14.5M, 1994 UNLESS OTHERWISE SPECIFIED.

**CONNECTOR NOTES:**

2. HOUSING MATERIAL: UL 94 V-0 GLASS FILLED  
HIGH-TEMP THERMOPLASTIC  
POWER CONTACT MATERIAL: COPPER ALLOY  
SIGNAL PIN MATERIAL: COPPER ALLOY

3. PLATING:  
51732-002 Singal Pin:30u"/0.76um Au OVER 50u"/1.27um Ni ON THE CONTACT AREA.  
AND 100u"/2.54um SnPb PLATING OVER 50u"/1.27um Ni ON THE TERMINATION SECTION.  
Power Pin:30u"/0.76um Au OVER 50u"/1.27um Ni ON THE CONTACT AREA,  
AND 100u"/2.54um SnPb PLATING OVER 50u"/1.27um Ni ON THE TERMINATION SECTION.  
51732-002LF Singal Pin:30u"/0.76um Au OVER 50u"/1.27um Ni ON THE CONTACT AREA.  
AND 78u"/2.00um Sn PLATING OVER 50u"/1.27um Ni ON THE TERMINATION SECTION.  
Power Pin:30u"/0.76um Au OVER 50u"/1.27um Ni ON THE CONTACT AREA,  
AND 78u"/2.00um Sn PLATING OVER 50u"/1.27um Ni ON THE TERMINATION SECTION.

PART NUMBER 51732-002LF MEETS EUROPEAN UNION DIRECTIVE AND OTHER COUNTRY REGULATIONS AS DESCRIBED IN GS-22-008.

THE HOUSING WILL WITHSTAND EXPOSURE TO 260° PEAK TEMPERATURE FOR 10 SECONDS IN A WAVE SOLDER APPLICATION WITH A CIRCUIT BOARD.

4. MANUFACTURER'S NAME, P/N, AND DATE CODE TO APPEAR ON THIS SURFACE.

5. PRODUCT SPECIFICATION GS-12-149.  
APPLICATION SPECIFICATION BUS-20-067.


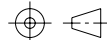
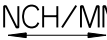

**PCB NOTES:**

6. ALL HOLE DIAMETERS ARE FINISHED HOLE SIZE.  
7. MOUNTING HOLES, WHERE APPLICABLE, ARE UNPLATED.

8.  $\varnothing .0453 \pm .0010$  [1.151 ± 0.025] DRILLED HOLES PLATED WITH .0003 [0.008] MIN SnPb OVER .001 [0.03] TO .003 [0.08] Cu PLATING TO ACHIEVE  $\varnothing .040 \pm .003$  [1.02 ± .07] HOLE.

9. "DIM XXX" TO BE DETERMINED BY THE CUSTOMER.

10. CONNECTOR KEEP-OUT ZONE.

mat'l code		SEE NOTE 2		tolerances unless otherwise specified		CUSTOMER		 <b>FCI</b> www.fciconnect.com	
lfr	ecr no.	dr	date	linear	.XX±.01/0.X±0.3	COPY			
C				projection	.XXX±.005/0.XX±0.13			title	4P + 12S
				angles	.XXX±.0020/0.XXX±0.051			RIGHT ANGLE SOLDER HEADER	
				dr	T. BRUNGARD 09/10/02	INCH/MM		product family	PwrBlade
				enrg	M. MOSTOLLER 09/10/02			code	213
				chr	M. MOSTOLLER 09/10/02	scale		size	dwg no
				appd	M. MOSTOLLER 09/10/02	1:1		A	51732-002
sheet index	revision sheet							sheet	4 of 4

1 | 2

Pro/E

3 |

cage code 22526

4